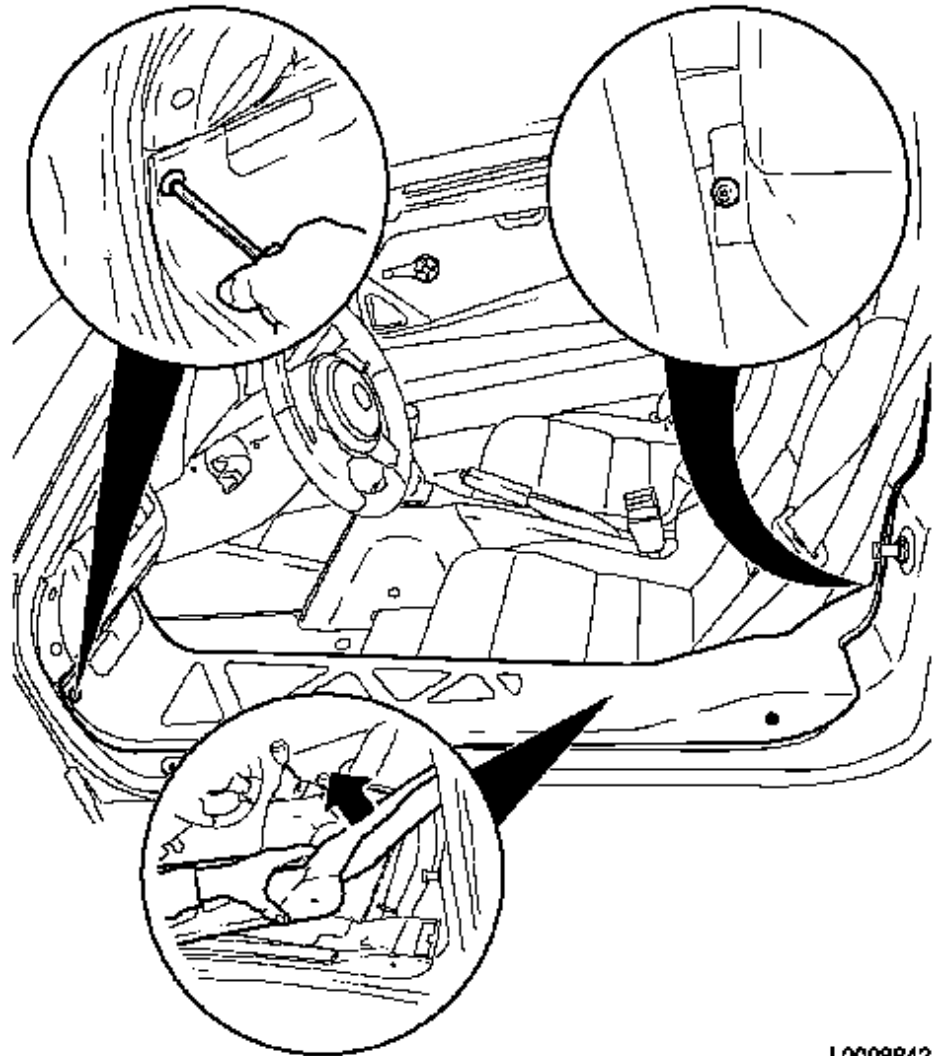


Bowden Cable, Luggage Compartment Lid, Replace



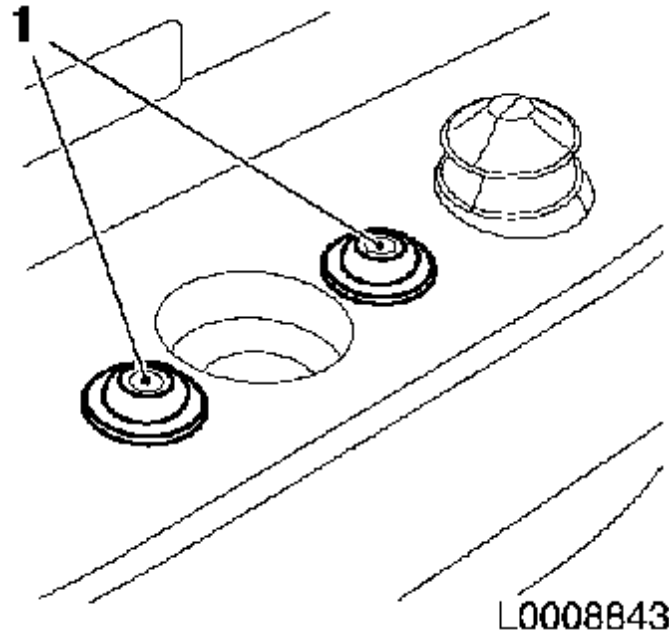
Remove

1. Open driver's door
2. Detach sill inner trim
 - 3 plastic screws
 - Double-sided adhesive tape



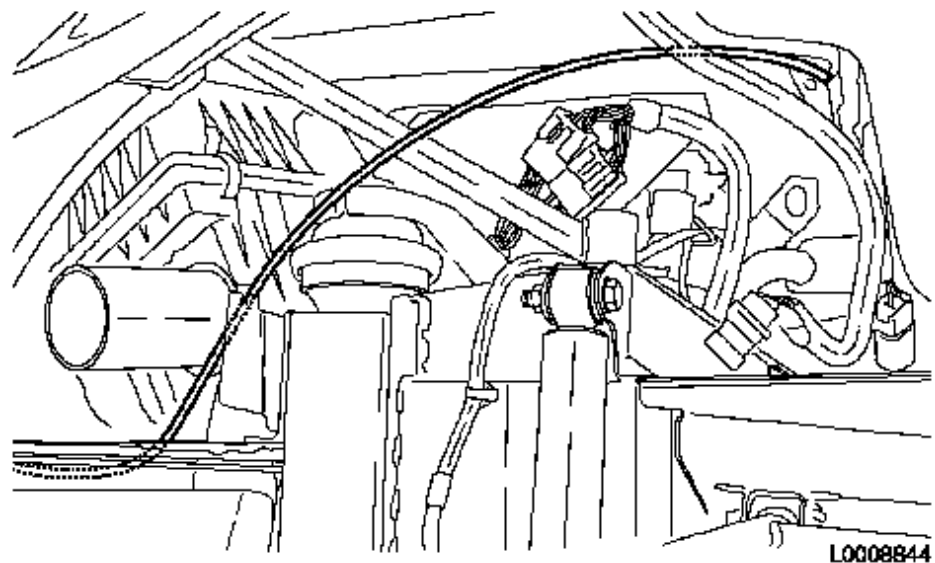
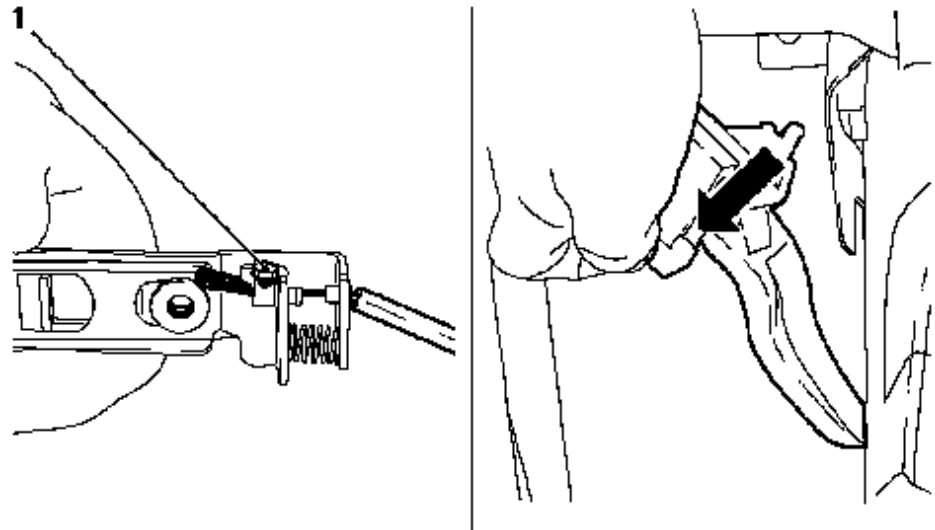
L0008842

3. Remove opening lever for luggage compartment lid lock
 - Remove from holder
4. Remove air filter housing
 - See operation "Air Filter Assembly, Remove and Install" in group J
5. Remove luggage compartment lid lock
 - 2 hexagon socket screws (1)



6. Remove Bowden cable
(1)

- Attach wire
- Unhook Bowden cable from lock and remove forwards



**Install**

7. Install Bowden cable
 - Transfer wire
 - Note:** Use silicone spray
 - Hook Bowden cable into lock
 - Fasten screw clamp
8. Install luggage compartment lock
 - 2 hexagon socket screws
9. Install air filter housing.
 - See operation "Air Filter Assembly, Remove and Install" in group J
10. Install opening lever of luggage compartment lid lock
11. Fit sill inner trim
 - 3 plastic screws
12. Cleaning work
13. Close driver's door